

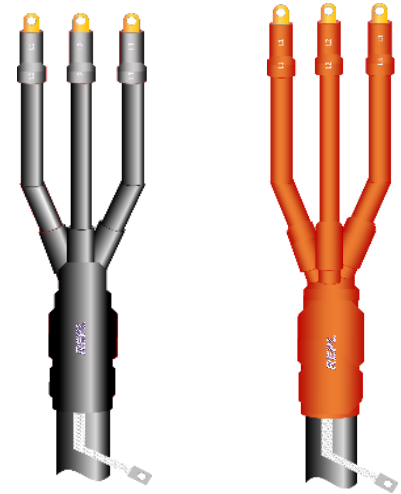
Low Voltage Armoured Cable Termination



RHTA – (1-3)X/P

Armoured Cable Termination for 1-5 core polymeric insulated cables up to 3.6kV

Utilising REPL Heat Shrinkable tubes, these termination kits are suitable for jointing armoured cables with polymeric or paper insulation. For cables up to 0.6/1(1.2) kV voltage level, the sealing is with standard insulating type Heat Shrinkable product. For cables up to 1.9/3.3(3.6) kV voltage level, an anti-tracking red material is used for the cable breakout and core sealing.



- Designed to comply to **EN50393, CENELEC HD 623 S1, ENATS 09-11**
- Unlimited shelf life
- For use indoor or outdoor environments
- Resistant to chemicals, UV light and water ingress
- Suitable for use with mechanical or compression cable lugs (available as an option)
- Voltage Level : $U_0/U_{max} = 0.6/1kV (1.2kV) / 1.8/3.3kV (3.6kV)$
- Cable Range : 2- 5 core Armoured cables 25 to 400mm²
: 1 core Armoured cables 50 to 630mm²

Kit Contents:

- Heat Shrinkable cable breakout
- Medium Wall core insulation tubes
- Medium Wall adhesive lined tubing for lug sealing¹
- Mastic sealant tapes
- Armour & lead sheath take off connection (braid, support ring and clamp)²
- Installation instructions
- Option to include mechanical or compression connectors in kit

¹ = Lug sealing tubing can be colour coded or printed for phase identification

² = If Armoured cable is installed using a separate earthing gland, then the armour take off connection is unnecessary and a unarmoured cable termination can be used

For Polymeric Insulated Cables

For Paper Insulated Cables

RHTA-(1-3)X

0.6/1 (1.2) kV SWA cables 2-5 core Product Code	No. of Cores	Cable Range	Standard Tail Length
	X	mm ²	L mm
RHTA – 1X 25-50-X	2 - 5	25 - 50	500
RHTA – 1X 70-120-X	2 - 5	70 - 120	500
RHTA – 1X 120-185-X	2 - 5	120 - 185	600
RHTA – 1X 240-400-X	2 - 5	240 - 400	600
RHTA – 1X 400-630	1	400 - 630	300

1.9/3.3 (3.6) kV SWA cables 3 core Product Code	No. of Cores	Cable Range	Standard Tail Length
	X	mm ²	L mm
RHTA – 3X-16-70-3	3	16 - 70	600
RHTA – 3X-95-185-3	3	95 - 185	600
RHTA – 3X-240-400-3	3	240 - 400	800

RHTA-(1-3)P

0.6/1 (1.2) kV PILC SWA cables 2-4 core Product Code	No. of Cores	Cable Range	Standard Tail Length
	X	mm ²	L mm
RHTA – 1P 25-50-X	2 - 4	25 - 50	500
RHTA – 1P 70-120-X	2 - 4	70 - 120	500
RHTA – 1P 120-185-X	2 - 4	120 - 185	600
RHTA – 1P 240-400-X	2 - 4	240 - 400	600
RHTA – 1P 400-630	1	400 - 630	300

1.9/3.3 (3.6) kV PILC/SWA cables 3 core Product Code	No. of Cores	Cable Range	Standard Tail Length
	X	mm ²	L mm
RHTA – 3P-16-70-3	3	16 - 70	800
RHTA – 3P-95-185-3	3	95 - 185	600
RHTA – 3P-240-400-3	3	240 - 400	800

REPL reserve the right to update the information contained in this document at any time without notice. It is the users responsibility to ensure it is suitable for the intended application. Any implied warranty relating to fitness for a particular purpose are explicitly excluded unless agreed in writing by REPL.

©REPL 2019



DATA SHEET

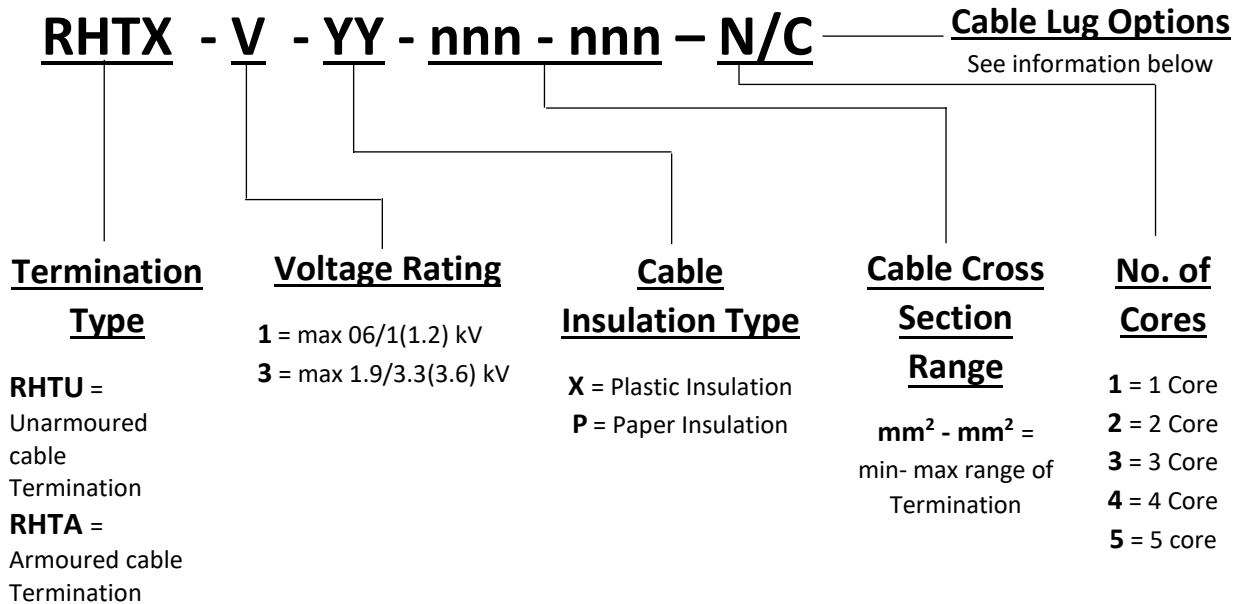
RHTA 19/01

Low Voltage Armoured Cable Termination



RHT – Cable Termination Designer for cables up to 3.6kV

The coding system below allows installer to specify correct termination based on application and cable type. The termination code is made up of 5 elements as follows:



Cable Lug Options:

Standard termination kits are supplied without cable lugs included. They can be included in the kits by adding the following suffix to the product code:-

- **/MC** = Electro-tinned aluminium mechanical lugs supplied in kit
- **/CC** = Copper compression lugs supplied in kit
- **/AC** = Aluminium compression lugs supplied in kit

Examples:

RHTA – 1X 95-185-4/ML – Heat Shrinkable cable termination for a 4 core 0.6/1 kV armoured XLPE or PVC insulated cable between 95 and 185mm², supplied with mechanical lugs.

RHTA – 3X 185-300-3 – Heat Shrinkable cable termination for 3 core 1.9/3.3 kV armoured XLPE or PVC insulated cables between 185 and 300mm², supplied without connectors.

REPL reserve the right to update the information contained in this document at any time without notice. It is the users responsibility to ensure it is suitable for the intended application. Any implied warranty relating to fitness for a particular purpose are explicitly excluded unless agreed in writing by REPL.
©REPL 2019



D A T A S H E E T

RHTA 19/01