

Screened Separable Connector

For IEC Dead-break Type C Bushings



RPCT-36A

Asymmetrical Elbow 630A up to 36 kV

Suitable for connecting all types of polymeric insulated cables to equipment with bushings Type C according to EN 50180 and EN 50181.

- For Voltage Range up to 19/33 (36) kV
- Continuous current 630 A (900 A overload for 8 hours)
- Meets the requirements of IEC 60502-4 and CENELEC HD 629.1 S2
- No minimum phase clearance requirements
- Compact design – asymmetrical body allows minimum depth of connection – especially when multiple connections are used
- Mounting can be vertical, horizontal, or any angle in between
- Suitable for Copper or Aluminium Conductors from 25-300mm²
- Integrated mechanical screw type lug
- EPDM moulded body with semi-conductive outer layer
- Easy to install with comprehensive instructions included in each kit
- Each connector body is factory tested for partial discharge and AC withstand to ensure 100% reliability
- Companion Branch Connector RPCBT-36A available for making multiple connections from same bushing



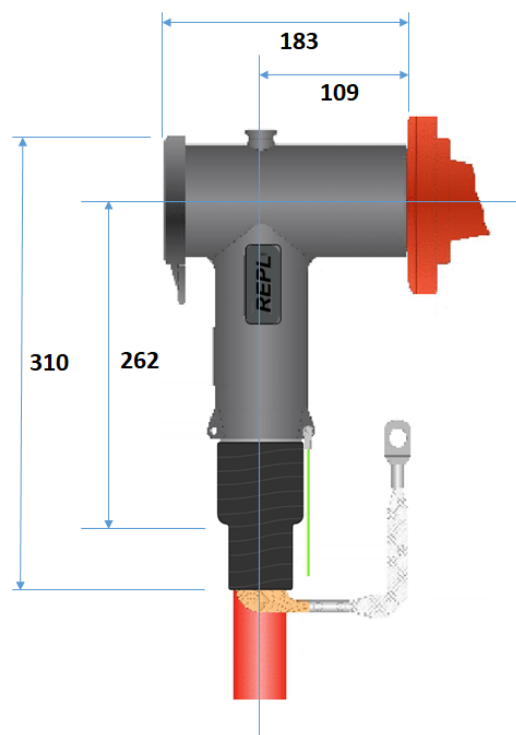
Standard Kit Contents:

- Set of 3 separable connector bodies and insulating back plug
- Set of 3 Silicon Stress Control Elements
- Set of 3 screw type lug and connecting stud
- Earthing connections and mastic sealants
- Installation materials and instructions

Associated Equipment:

- For cables with tape screen, a separate earth connection kit is available
- For 3-core cables, a trifurcating breakout and core seal kit is available
- For multiple connections to one bushing, use RPCBT-36A branch connector

Dimensions (mm):



Please see overleaf for selection guide

Screened Separable Connector

For IEC Dead-break Type C Bushings

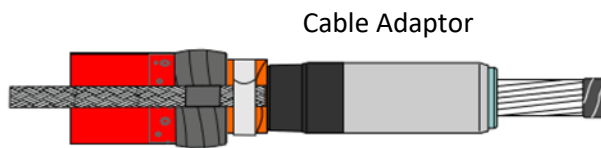


RPCT-36A

Asymmetrical Elbow 630A up to 36 kV

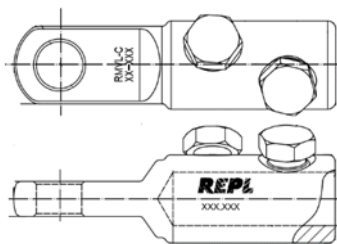
Selection Guide:

1. Select the adaptor type to fit over the prepared insulation according to the table :



Cable Adaptor Type "X"	Cable Insulation ϕ Range (mm)
A	16.3 – 19.3
B	18.3 – 21
C	20 – 24.1
D	23.1 – 27
E	25.6 – 29
F	27.7 – 32.6
G	30.9 – 36.2
H	34 – 39.5

2. Select the cable lug to fit the conductor cross sectional area, according to the table:



Cable Lug Code "Y"	Cable Conductor Range (mm ²)
RMVL-C25-95/35	25 – 95
RMVL-C120-300/35	120 – 300

3. Full Product Code is determined by the adaptor selection and cable lug type :

RPCT-36A-X-Y

For Example:

- Cable System Voltage = 36 kV
- Cable Conductor Cross Sectional Area = 240mm²
- Cable Insulation Diameter = 34.8mm

Product Code = **RPCT-36A-G-RMVL-C120-300/35**

(This kit is a set of three phases)

Notes

Other types of centre palm lugs can be used, such as compression types.

For cables with copper tape screens, an additional earth kit needs to be specified.

For 3-core cables, a trifurcating kit is available.

Contact your local REPL Sales Office for details.

REPL reserve the right to update the information contained in this document at any time without notice. It is the users responsibility to ensure it is suitable for the intended application. Any implied warranty relating to fitness for a particular purpose are explicitly excluded unless agreed in writing by REPL.

©REPL 2018



REPL International Ltd.

Email: info@repl.com

Web: www.repl.com