

Screened Separable Connector

For IEC Dead-break Type C Bushings



RPBCT-24C

Compact Asymmetrical Branch 630A up to 24 kV
for use with RPCT-24C Connector

Suitable for connecting all types of polymeric insulated cables when a multiple connection is needed from equipment with bushings Type C according to EN 50180 and EN 50181.

This product must be used in combination with the compact asymmetrical connector RPCT-24C

- For Voltage Range up to 12/20 (24) kV
- Continuous current 630 A (900 A overload for 8 hours)
- Meets the requirements of IEC 60502-4 and CENELEC HD 629.1 S2
- No minimum phase clearance requirements
- Very compact design – asymmetrical body allows minimum depth of connection for 2 or 3 cables per phase
- Suitable for Copper or Aluminium Conductors from 35-300mm²
- Integrated mechanical screw type lug
- EPDM moulded body with semi-conductive outer layer
- Easy to install with comprehensive instructions included in each kit
- Each connector body is factory tested for partial discharge and AC withstand to ensure 100% reliability
- Companion Branch Connector RPCT-24C available for making multiple connections from same bushing
- Unlimited shelf life at normal storage temperatures



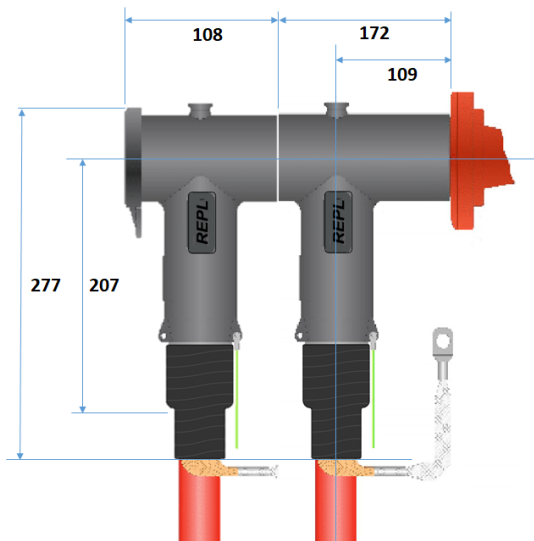
Standard Kit Contents:

- Set of 3 separable branch connector bodies
- Set of 3 Silicon Stress Control Elements
- Set of 3 screw type lug and connecting stud
- Earthing connections and mastic sealants
- Installation materials and instructions

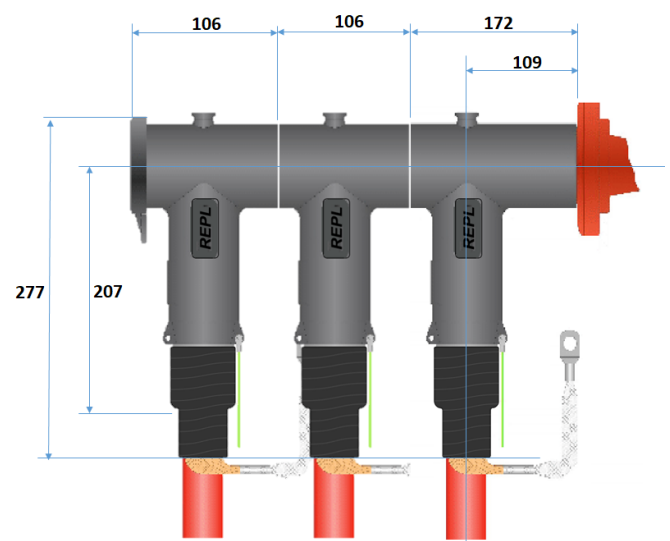
Associated Equipment:

- Compact Asymmetrical Connector RPCT-24C MUST be used with this product as the initial connection to the bushing – then this branch connector can be added for additional one or 2 more connections
- For cables with tape screen, a separate earth connection kit is available

Dimensions (mm):



1 x RPBCT-24C installed in back of RPCT-24C



2 x RPBCT-24C installed in back of RPCT-24C

Screened Separable Connector

For IEC Dead-break Type C Bushings

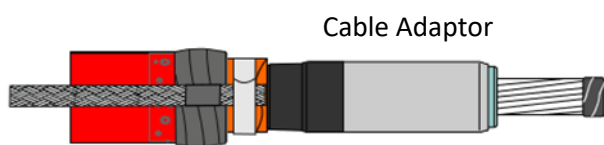


RPBCT-24C

Compact Asymmetrical Branch 630A up to 24 kV
for use with RPCT-24C Connector

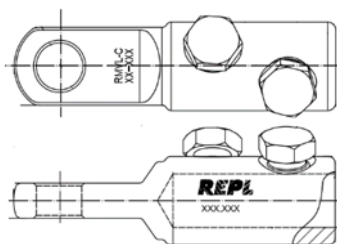
Selection Guide:

1. Select the adaptor type to fit over the prepared insulation according to the table :



Cable Adaptor Type "X"	Cable Insulation ϕ Range (mm)
A	16.3 – 19.3
B	18.3 – 21
C	20 – 24.1
D	23.1 – 27
E	25.6 – 29
F	27.7 – 32.6
G	30.9 – 36.2
H	34 – 39.5

2. Select the cable lug to fit the conductor cross sectional area, according to the table:



Cable Lug Code "Y"	Cable Conductor Range (mm ²)
RMVL-C35-150/29	35 – 150
RMVL-C70-240/29	70 – 240
RMVL-C120-300/29	120 – 300

3. Full Product Code is determined by the adaptor selection and cable lug type :

RPBCT-24C-X-Y

For Example:

- Cable System Voltage = 24 kV
- Cable Conductor Cross Sectional Area = 185mm²
- Cable Insulation Diameter = 28.5mm

Product Code = **RPBCT-24C-F-RMVL-C70-240/29**

(This kit is a set of three phases)

Notes

Other types of centre palm lugs can be used, such as compression types.

For cables with copper tape screens, an additional earth kit needs to be specified.

For 3-core cables, a trifurcating kit is available.

Contact your local REPL Sales Office for details.

REPL reserve the right to update the information contained in this document at any time without notice. It is the users responsibility to ensure it is suitable for the intended application. Any implied warranty relating to fitness for a particular purpose are explicitly excluded unless agreed in writing by REPL.

©REPL 2018

RPBCT-24C 18/02

