

RHCSG

Heat Shrink Cable Sealing Glands provide an excellent watertight and fume tight seal where cables enter connection boxes or pass through bulkheads. The gland kit consists of a three-part assembly- a rigid plastic nut, O-ring seal, and threaded body with a Heat-Shrinkable seal to shrink onto the cable sheath. The nut is tightened onto the body to create a seal between the walls of the box / bulkhead and the Heat Shrink tube is shrunk onto the sheath to complete the installation.

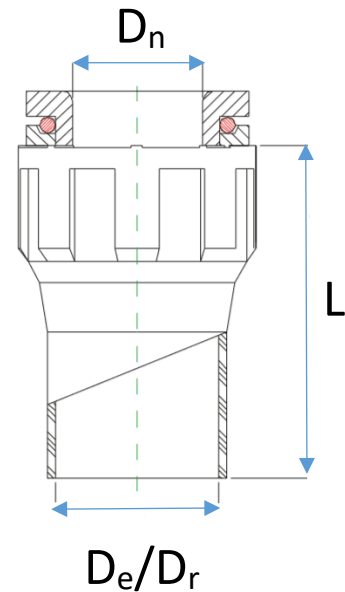
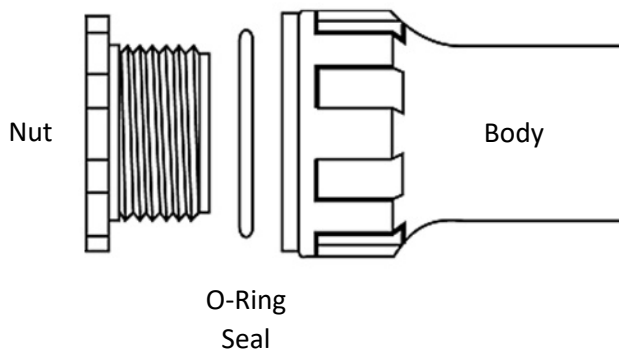
To ensure a moisture tight seal, the Heat-Shrinkable tube has an inner coating of hot melt adhesive.

Two sizes are available to suit a range of cables with overall diameters from 19mm to 69mm.

- Pressure Sealing up to 170kPa (1.7 bar)
- Range taking – 2 sizes cover cables from 19mm to 69mm diameter
- Continuous operating temperature : -55°C to +90°C

Materials:

- Moulded body : flame retardant polyolefin Heat Shrink
- Nut : Nylon
- O-Ring : Rubber



PRODUCT DIMENSIONS – RHCSG SERIES						
ORDER CODE	After Recovered Length (L)	As Supplied Tube Diameter (De)	Fully Recovered Tube Diameter (Dr)	Body/Nut Internal Diameter (Dn)	Drill Size ϕ	Overall Diameter of Body/Nut
	mm	min	max	mm		
RHCSG-4	112 ± 5	45	19	41	51	70
RHCSG-5	175 ± 5	70	36	74	90	105

REPL reserve the right to update the information contained in this document at any time without notice. It is the users responsibility to ensure it is suitable for the intended application. Any implied warranty relating to fitness for a particular purpose are explicitly excluded unless agreed in writing by REPL.
©REPL 2018