

MV Termination Accessories: Unscreened Separable Connector



RUSK

The REPL unscreened connector system is a right angled adapter designed to fit over standard MV cable terminations when used with equipment bushings to Type C according to EN 50180 and EN 50181.

The RUSC boot can be easily disconnected for testing and then reconnected with standard tooling under dead break conditions. The body is made from Silicon rubber based material with excellent anti-tracking properties.

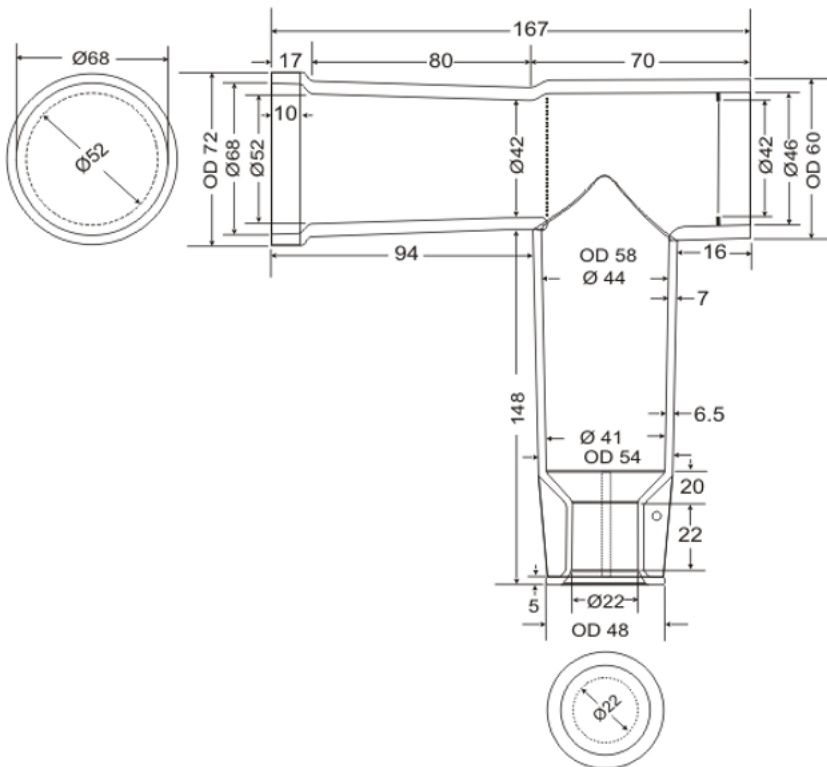
The body and termination are not screened and therefore during operation the surfaces will be considered live and must not be touched.

- For Voltage Range 6/10(12)kV up to 8.7/15(17.5)kV
- For connection to C type bushings according to EN 50180 and EN 50181
- Tested to CENELEC HD 629.1
- One size is suitable for all cable types from 70 - 300mm²
- Easy to install with comprehensive instructions included in each kit
- Unlimited shelf life at normal storage temperatures

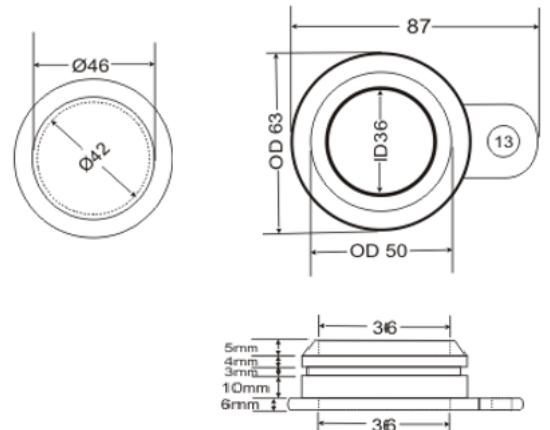
Kit Contents: 3 x RUSC Boots , 3 x Silicone Grease , Installation Instructions



Moulded Body:



Moulded End Cover:



***Dimensions in mm**

REPL reserve the right to update the information contained in this document at any time without notice. It is the users responsibility to ensure it is suitable for the intended application. Any implied warranty relating to fitness for a particular purpose are explicitly excluded unless agreed in writing by REPL.

©REPL 2018

