

## RCFB

### Flexible Insulating Bushing Boot Kit

Provides insulation enhancement for MV cable termination installed in in dry air filled cable boxes up to 24 kV

The RCFB flexible insulating boot is a cold applied system to provide increased insulation for medium voltage cable terminations. They are used in switchgear and transformer cable boxes where the air clearances are not sufficient to prevent electrical flashover due to high humidity or rodents.

The boots are manufactured from a highly insulating and anti-tracking silicone rubber based material with excellent weathering properties for a durable long life installation.

The boot allows for either a straight or right angled configuration and will fit over standard heat shrink or cold applied terminations.

The boots are installed easily without special tooling and can be removed for testing and then reinstalled.

- Unlimited shelf life
- Fully tested in accordance to **HD629.1-S1, IEC 60502-4**
- Kits designed to cover a wide range of cable sizes
- One size covers right angled or straight installation
- Works with standard heat shrink or cold shrink terminations

#### Kit Contents (RCFB-1 / RCFB-2):

- Set of 3 Elastomeric flexible bushing boots
- Silicone Grease
- Installation Instructions

#### Kit Contents (RCFB-0 reducing adaptor):

- Set of 3 Elastomeric bushing adaptors
- Silicone Grease
- Installation Instructions



**RCFB-1 / RCFB-2 Boot Kit**



**RCFB-0**  
(Reducing Adaptor for smaller bushings 30 – 45mm diameter)

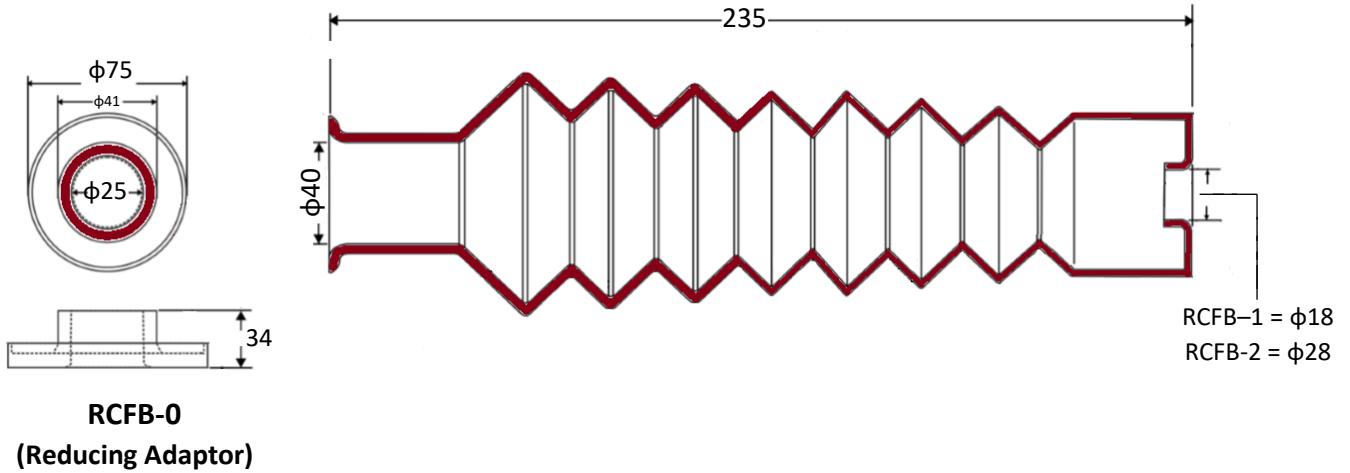
Kit Number	Product	Maximum Voltage	Cable Range	Bushing Diameter Range
RCFB-2	Set of 3 boots	24kV	185-630mm <sup>2</sup>	46-70mm
RCFB-1	Set of 3 boots	24kV	35-300mm <sup>2</sup>	46-70mm
		17.5kV	35-400mm <sup>2</sup>	
RCFB-0	Set of 3 reducing adaptors	17.5kV	35-400mm <sup>2</sup>	30-45mm

Please see overleaf for installation details

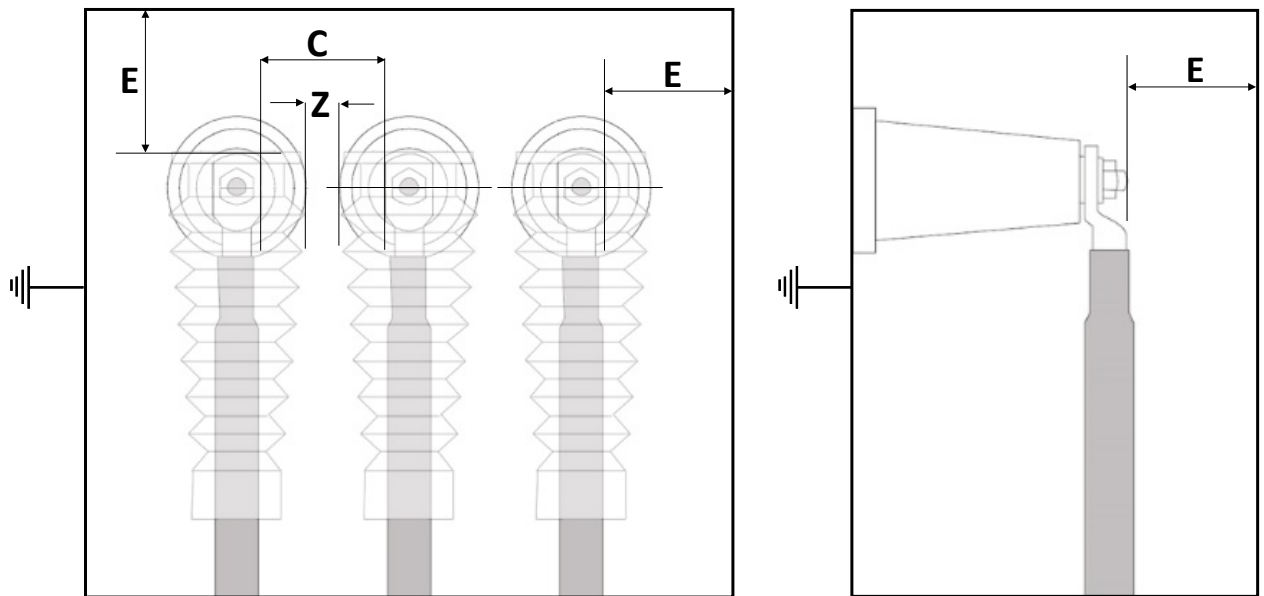
# Flexible Bushing Boots



## Dimensions (mm):



## Installation Data:



Ensure that the minimum clearances are according to the table below for the required voltage level. These dimensions are in accordance with IEC 60071-1 to 71-3

Voltage level $U_o/U$ ( $U_{max}$ ) kV	3.8/6.6 (7.2) kV	6.35/11 (12) kV	8.7/15 (17.5)kV	12/20 (24)kV
Impulse Level (BIL) kV,peak	60kV	95kV	95kV	125kV
Minimum clearance phase to phase (C)	45mm	75mm	85mm	100mm
Minimum clearance phase to earth (E)	35mm	60mm	75mm	75mm
Minimum clearance between insulating boots (Z)	12mm	12mm	12mm	15mm

REPL reserve the right to update the information contained in this document at any time without notice. It is the users responsibility to ensure it is suitable for the intended application. Any implied warranty relating to fitness for a particular purpose are explicitly excluded unless agreed in writing by REPL.  
©REPL 2018



DATA SHEET

RCFB-1.8/02